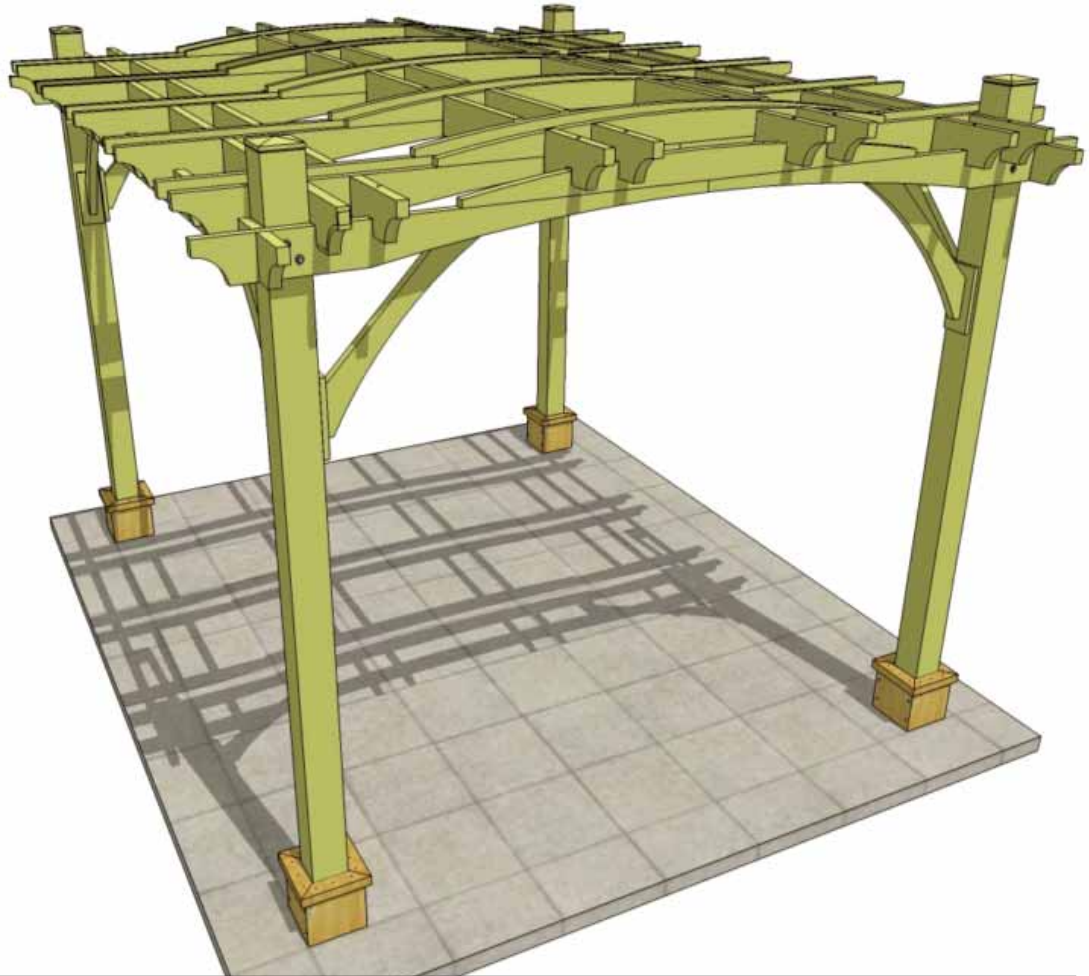




# 10X12 Arched Breeze Pergola Assembly Manual Outdoor Living Today

ITEM# BZ1012ARCH

Revision #5  
May 31, 2021



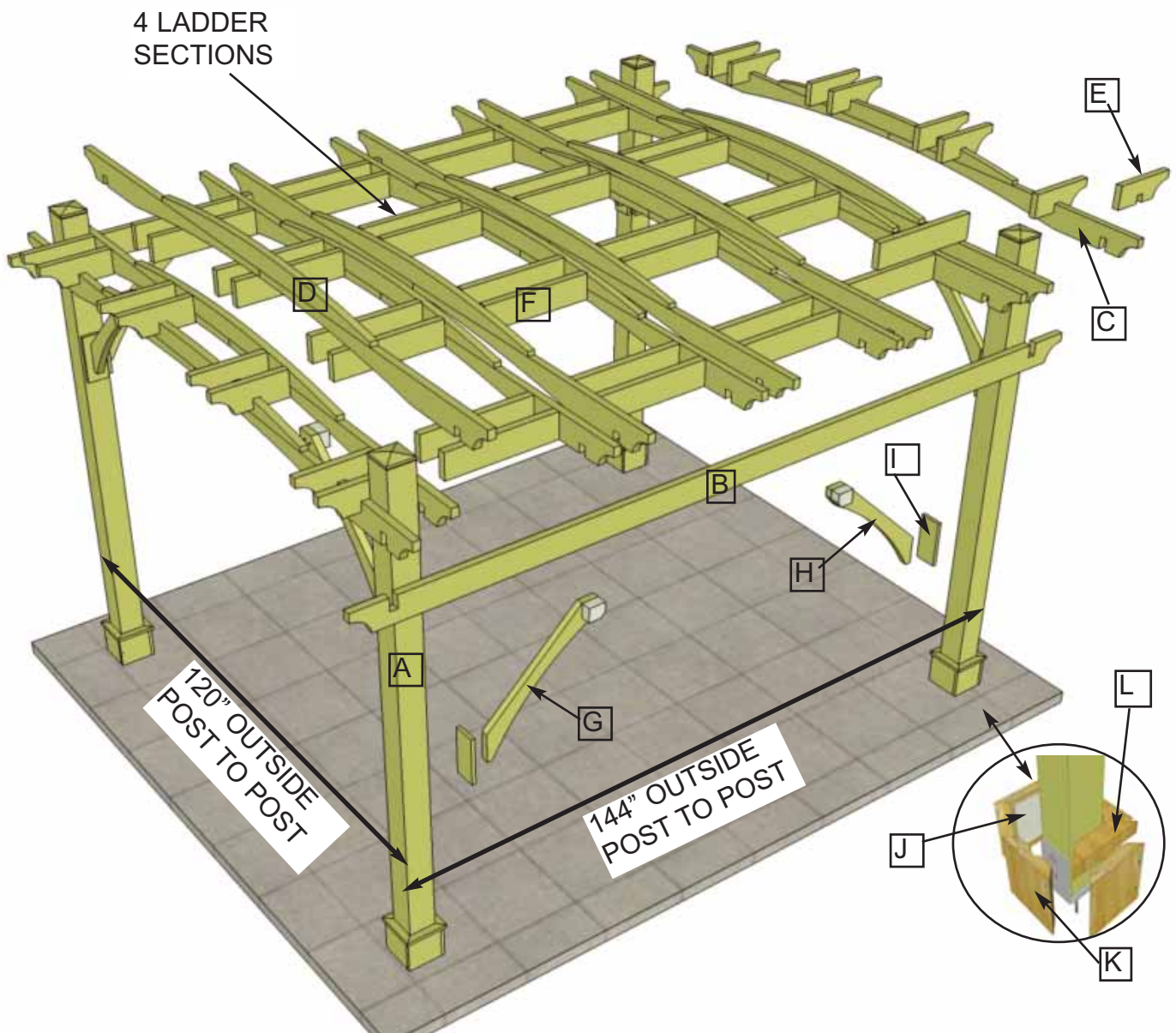
**Note:** Post Mounting Hardware is **NOT** included in this kit. Please confirm with your local building permit office to determine the correct hardware in your area.

If you plan to paint or stain your Pergola before assembly, be sure to scribe or mark the top edge of Joist where Stub Joists and Ladder Blockings are pre-marked. Painting or staining may cover up markings making it more difficult to align components later.

Customers agree to hold Outdoor Living Today and any Authorized Dealers free of any liability for improper installation, maintenance and repair of any Outdoor Living Today products.

In the event of a missing or broken piece, simply call the Outdoor Living Today Customer Support Line @ 1-888-658-1658 within 30 days of the delivery of your purchase. It is our commitment to you to courier replacement parts, free of charge, within 10 business days of this notification. Replacement parts will not be provided free of charge after the 30 day grace period.

# 10X12 ARCHED BREEZE PERGOLA



Thank you for purchasing one of our Breeze Pergolas. Please take the time to identify all the parts prior to assembly.

## Parts Lists:

	Thickness	Width	Length	Qty.
A - Posts	5 1/2"	5 1/2"	109"	4
B - Girder (deep notch on top)	1 1/2"	5 1/2"	162"	2
C - Girder (deep notch on bottom)	1 1/2"	5 1/2"	138"	2
D - Joist (shallow notch on bottom)	1 1/2"	5 1/2"	138"	10
E - Stub Joist	1 1/2"	5 1/2"	14 1/2"	16
F - Ladder Blocking	1 1/2"	5 1/2"	22 5/8"	32
G - Left Corner Brackets	1 1/2"	5 1/2"	34 3/4"	4
H - Right Corner Brackets	1 1/2"	5 1/2"	34 3/4"	4
I - Corner Bracket Post Mount	1"	4 1/2"	10 1/2"	8
<b>Post Skirting Kits - 4 Kits / Each includes:</b>				
J - Post Skirtings with Cleat	1 1/2"	9"	7 1/4"	2
K - Post Skirtings- Dado Cut	1 1/2"	9"	7 1/4"	2
L - Post Skirting Caps	1 1/2"	2 1/2"	10 1/2"	4

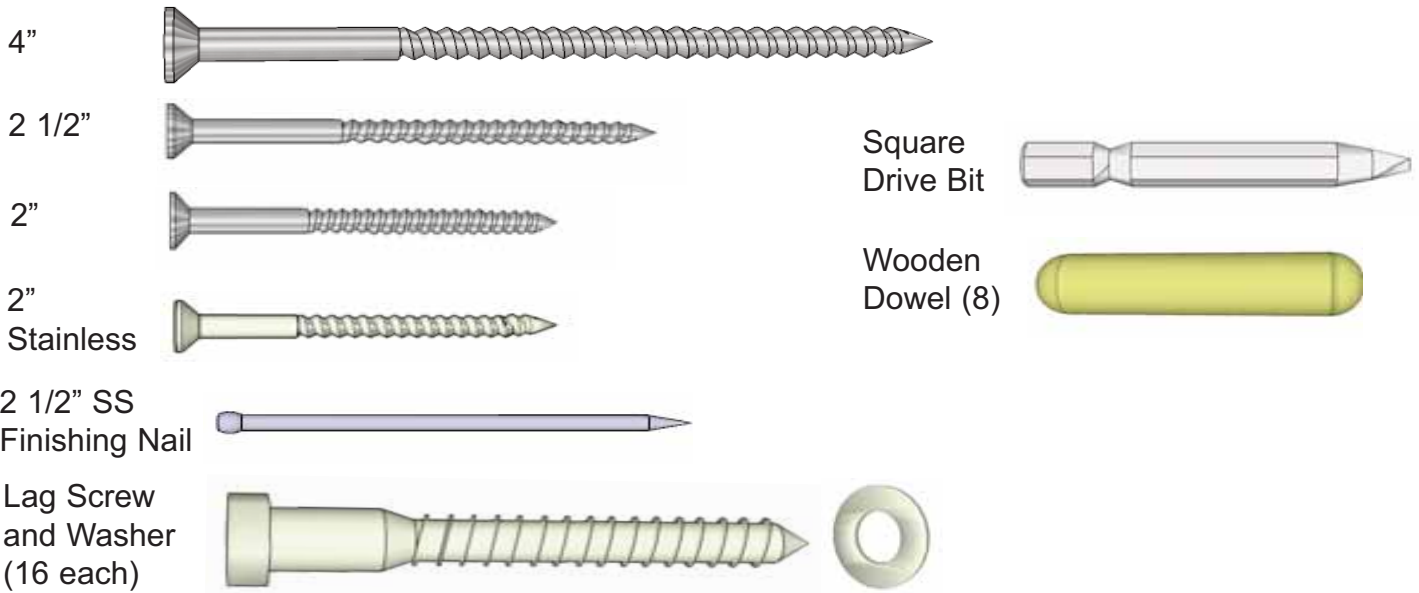
## Specifications:

Wood Species - Western Red Cedar  
 Grade - Architectural Knotty or Better  
 Posts - Laminated Western Red Cedar  
 Lag Screws and Washers - Zinc Plated  
 4" & 2 1/2" & 2" - Brown Screws  
 2" Screws - Stainless Steel  
 2 1/2" Finishing Nails - Stainless Steel

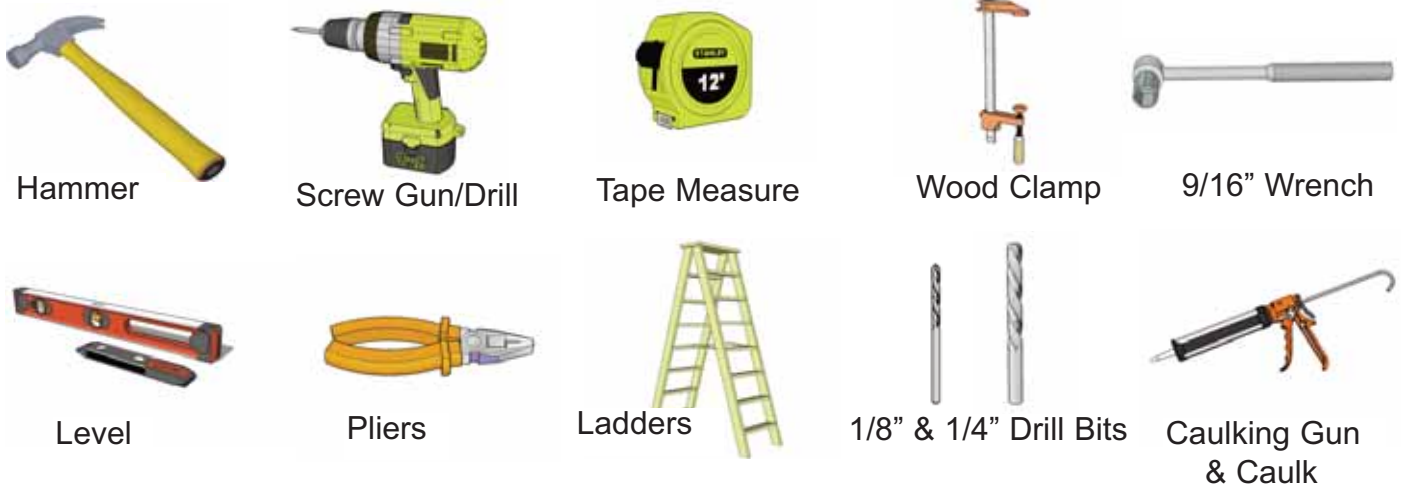
**Overall Outside Dimensions:**  
 138" x 162" x 108" high  
 Height (Ground to Bottom of Girder)  
 94 1/2"  
 Post Mounts - Not Included with Kit  
 Recommended Post Mount  
 Simpson Strong Tie - ABU66

# 10x12 ARCHED BREEZE PERGOLA HARDWARE PACKAGE

## Hardware Kit (Provided)



## Tools Required (Not Provided)



## Safety Equipment Required (Not Provided)





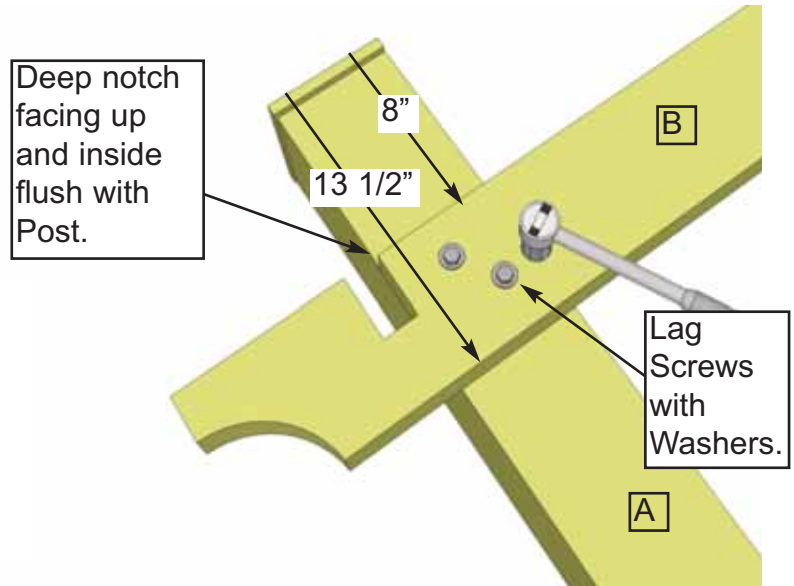
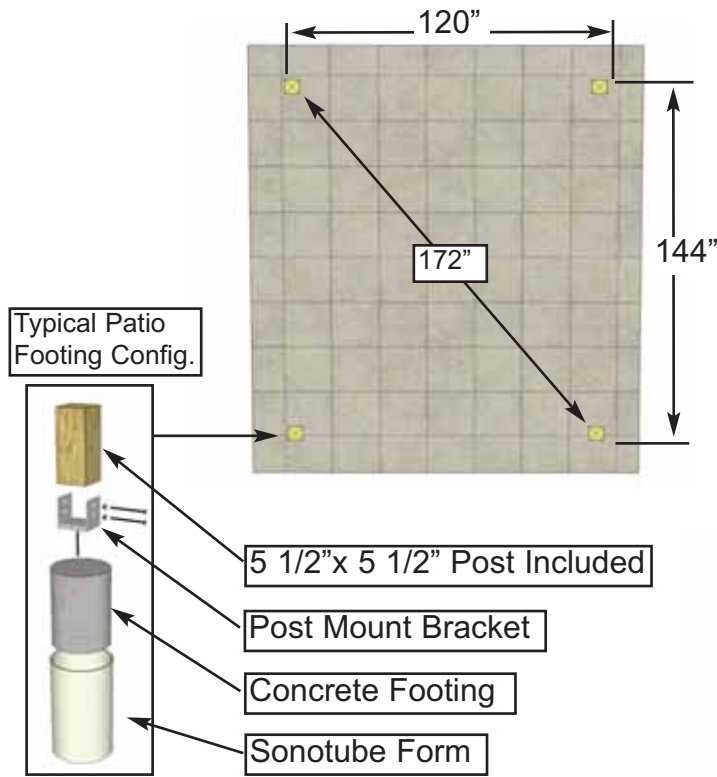
**Important - Western Red Cedar Lumber and Timbers will have surface splitting that occurs as lumber seasons and dries to the moisture content in your area. Splitting or "checking", as it is referred to, can be 1/8" to 1/4" wide and can run several feet. This does not diminish the structural integrity of the material in any way.**

## Laying out your Footprint

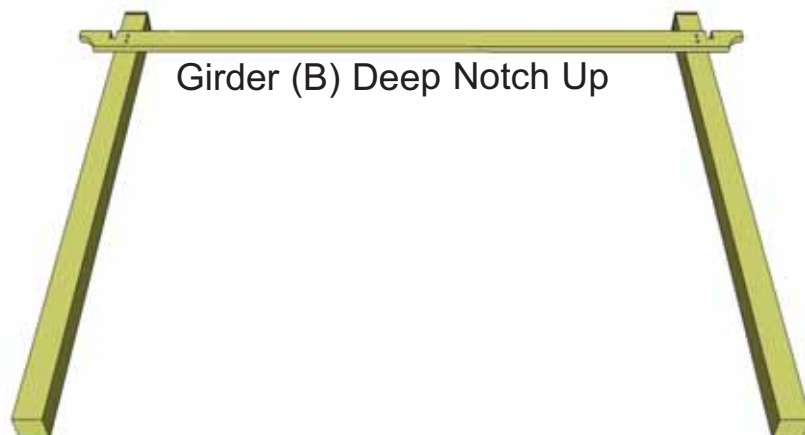
To determine the proper placement of your 5 1/2" x 5 1/2" Posts, see the exploded view on **Page 2** to find the measurements and to determine their correct positions. Outside Post to Post measurements for the 10'x12' Breeze are: 144" x 120".

Inside Diagonal Post to Post measurement is 172". Take diagonal measurements to check your layout for square.

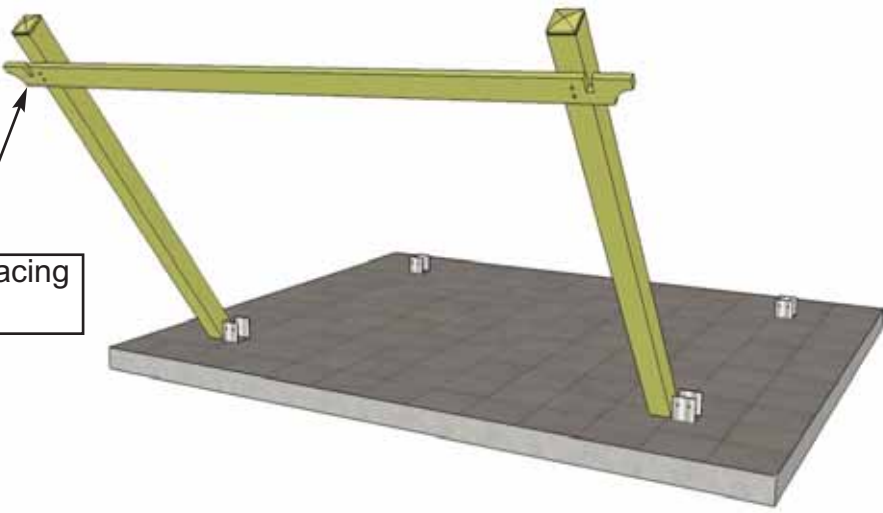
We recommend that you fix Posts to ground using Steel Post Bases or Saddle Brackets fixed on concrete footing. If attaching Posts to pre-existing deck, we recommend that you purchase Post / Deck Mounting Brackets. In both cases, Post Mounting hardware can be found at most hardware stores.



**1.** On flat level ground, lag screw the **Girder with Deep Notch on top (B)** to two **Posts (A)** approximately 8" from top of Post. Complete 2 sets of Girder/Post Assembly's. **Note; Drill shallow pilot hole into Post first with 1/4" drill bit.**



Girder facing out.

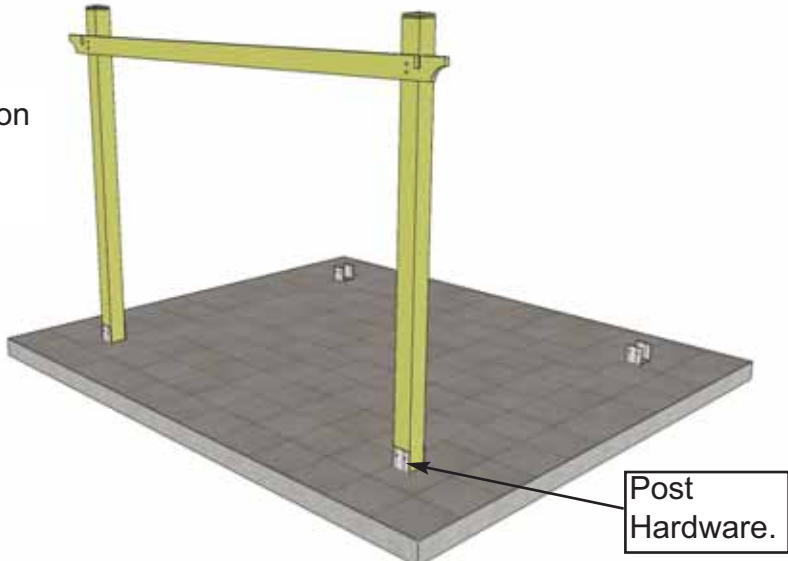
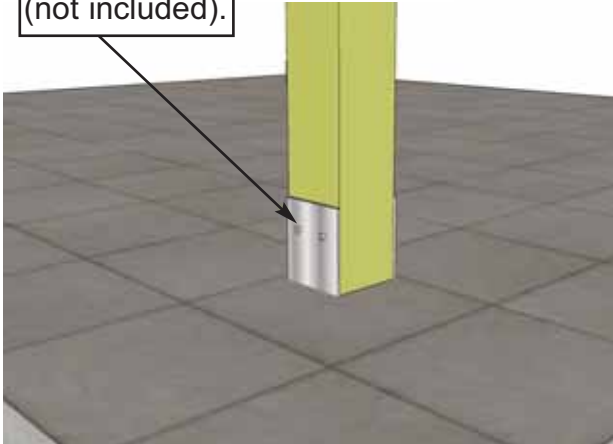


**Important** - You will require the assistance of 2 helpers to support the posts up to **Step 7**.

**2.** Lift up a completed Post/Girder Assembly slowly and carefully. Make sure Girder is facing outward.

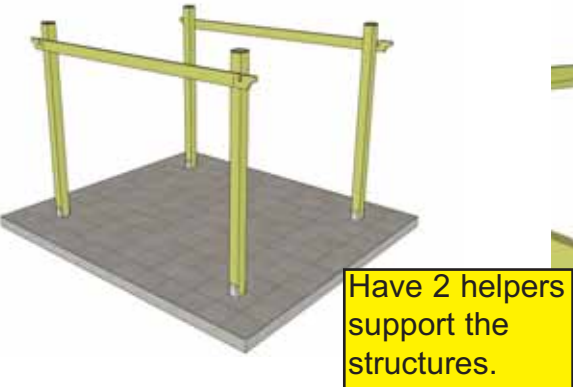
**3.** If Post Mount Hardware is installed, position bottom of posts in hardware.

Lag Screws (not included).



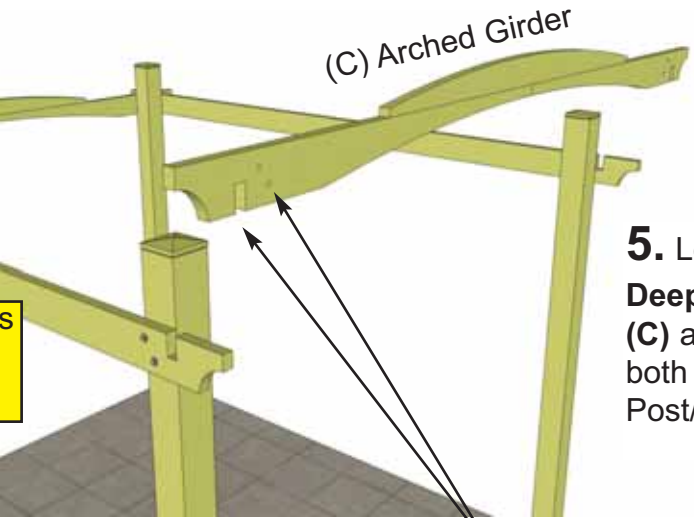
Post Hardware.

**4.** Secure Post to Post Hardware with appropriate hardware such as lag bolts or a sufficient number of screws. **(Hardware Not Supplied)**



Have 2 helpers support the structures.

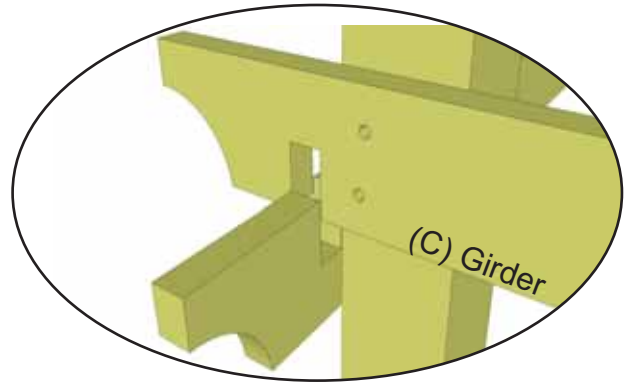
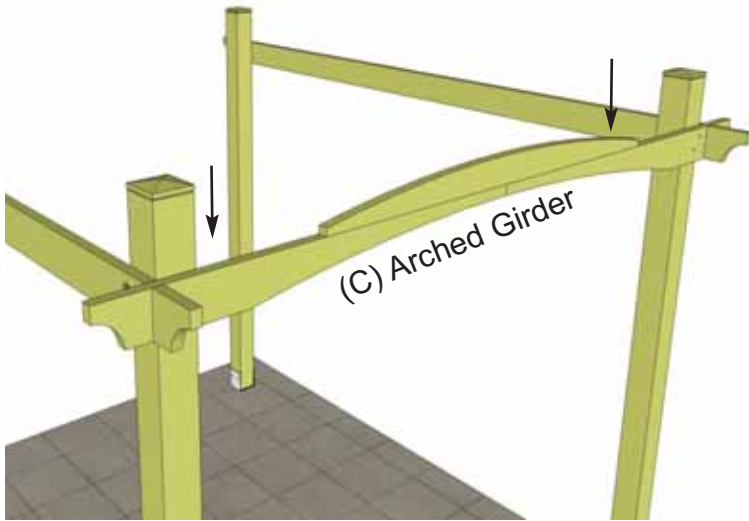
Lift, position and attach the second Post/Girder Assembly to Post Hardware.



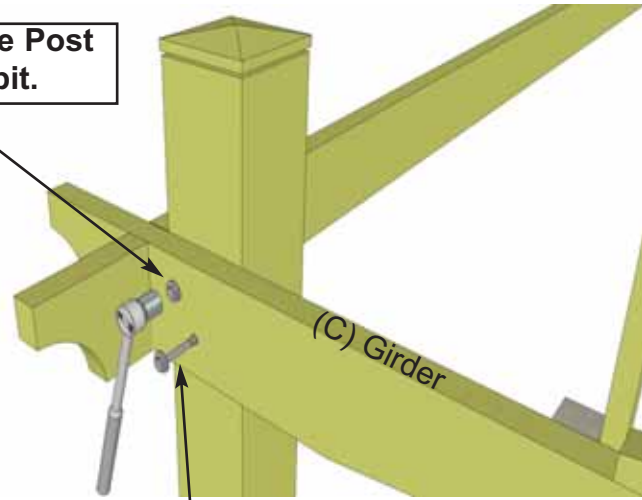
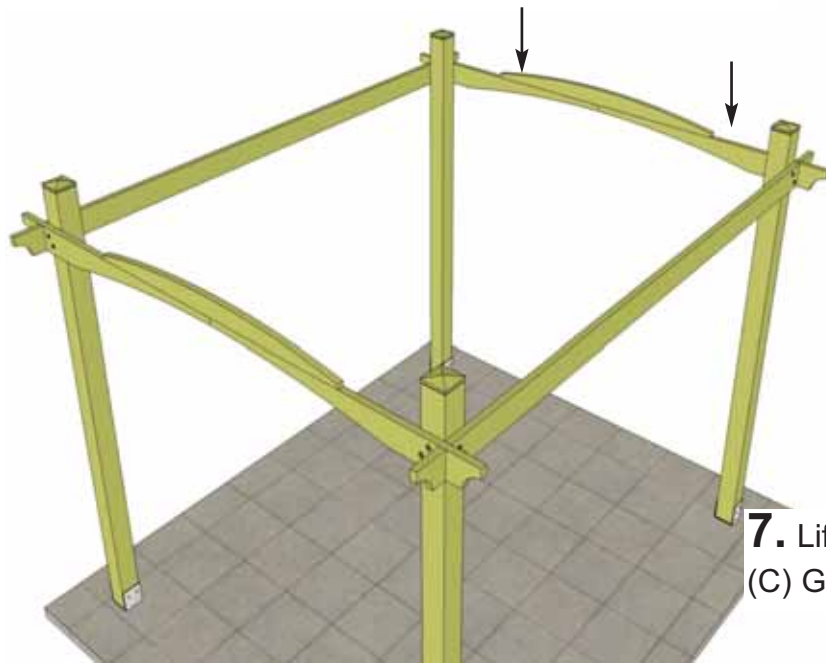
**5.** Locate Girder with Deep Notch on Bottom (C) and lift up between both completed Post/Girder Assemblies.

Deep Notch facing down and drilled for lag screws.

**6.** Carefully lower (C) Girder down into notch of (B) Girders. Be careful not to twist the Girder when dropping down into place. Lag screw Girder to Post. Drill pilot hole first.



**Note; Drill pilot hole Post first with 1/4" drill bit.**

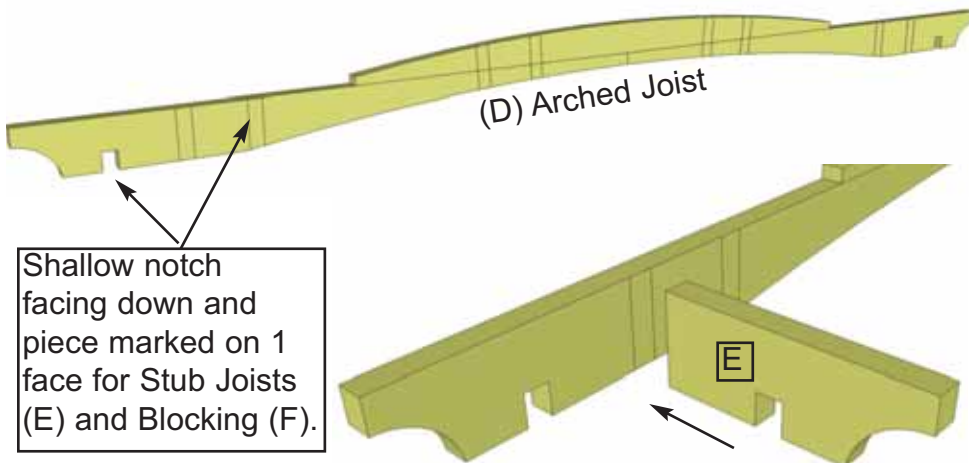


**Use 2 Washers and Lag Screws.**

**7.** Lift, position and Lag screw the second (C) Girder to Posts.

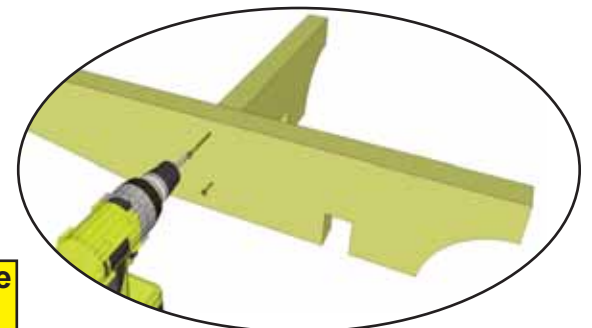
**8.** On level ground, position 1 **Joist (D)** and 8 **Stub Joists (E)**.

Joists are pre-marked on 1 face for Stub Joist and Blocking positioning. Hold Stub Joist tight on markings and attach with **2 - 2 1/2" screws**. Tighten so that screw head is flush with surface of wood.

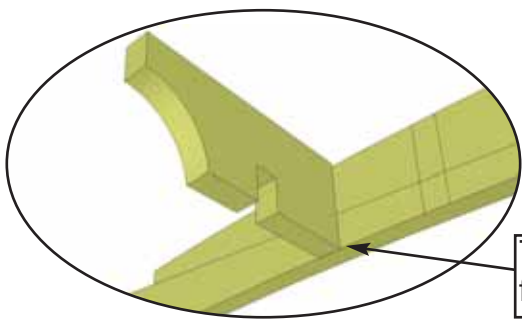


Shallow notch facing down and piece marked on 1 face for Stub Joists (E) and Blocking (F).

**You can find the Square Drive Bit for the screws in with the Hardware Kit Bag.**

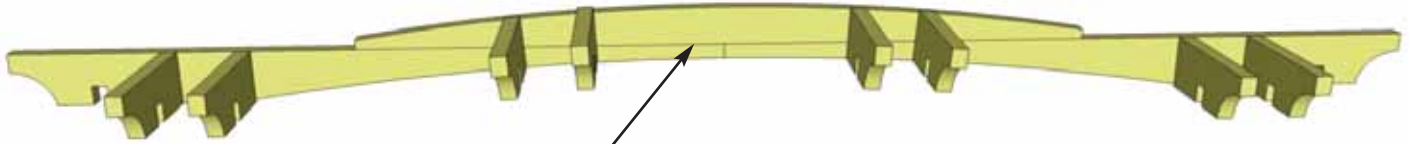






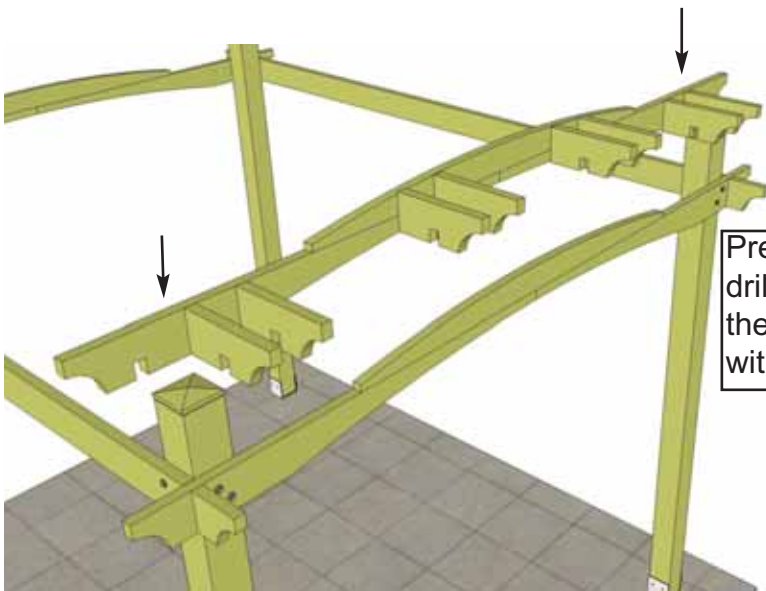
Try to align Stub to be flush with bottom of Joist.

**9.** With Stub Joists positioned correctly on Joist, attach each Stub Joist with **2 - 2 1/2" screws**. Stub Joists should be flush with bottom of Joist with all notches facing down. There are two Joist / Stub Joist Assemblies, complete both now.

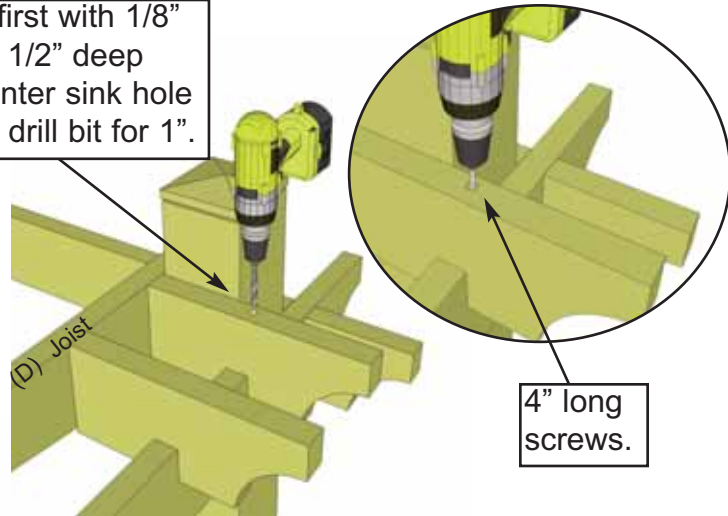


Completed Joist / Stub Joist connections.

**10.** Carefully lift up completed Joist / Stub Joist Assemblies and fit notches onto Girder. You may have to hammer/mallet Assemblies carefully down onto Girder to make notches fit snug. Be careful not to break wood.

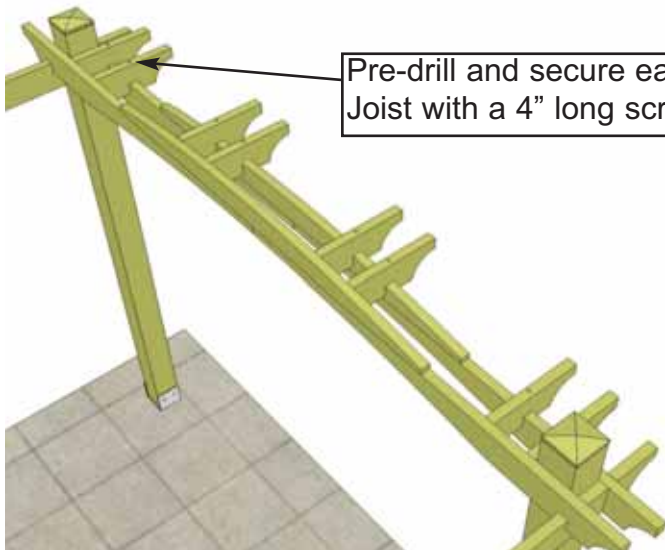


Pre-drill first with 1/8" drill bit 2 1/2" deep then counter sink hole with 1/4" drill bit for 1".



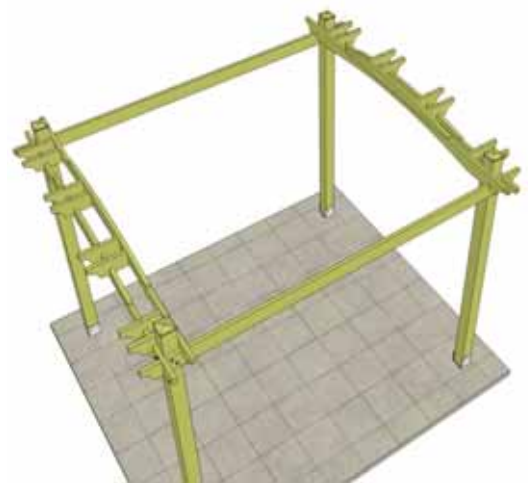
4" long screws.

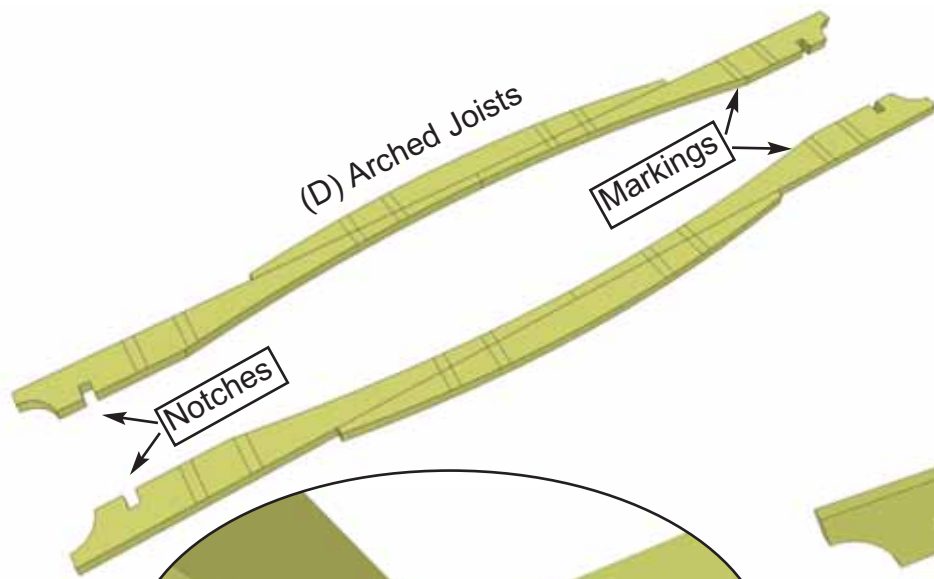
Pre-drill and secure each Stub Joist with a 4" long screws.



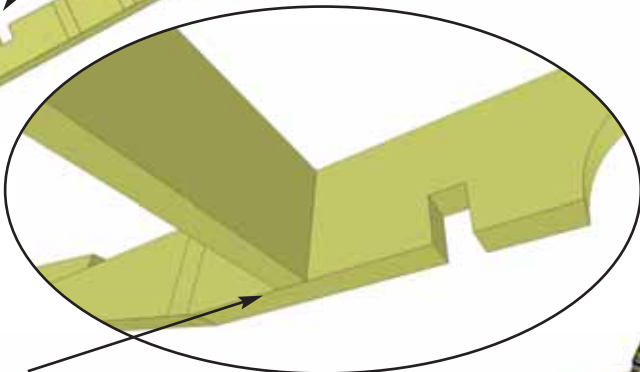
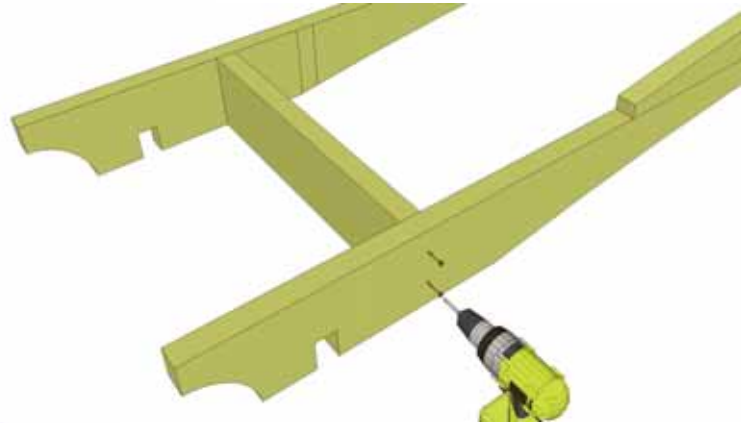
**11.** Screw down all Stub Joists into Girder with **1 - 4" screw** per piece. Complete both Assemblies.

**Note:** Pre-drill and counter sink Stub Joists to make it easier to attach 4" screws.

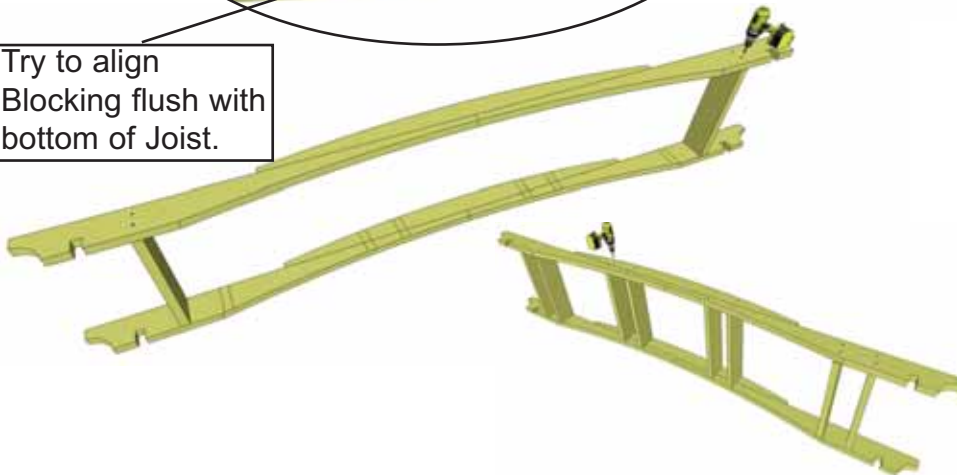




**12.** On a flat surface lay, 2 (D) Joists with blocking markings facing up and notches to the inside. Position **Blocking (F)** where marked on face of (D) Joist and attach with **2 - 2 1/2" screws** per side. Blocking should be flush with the bottom of Joist. Complete both ends and turn ladder on side.

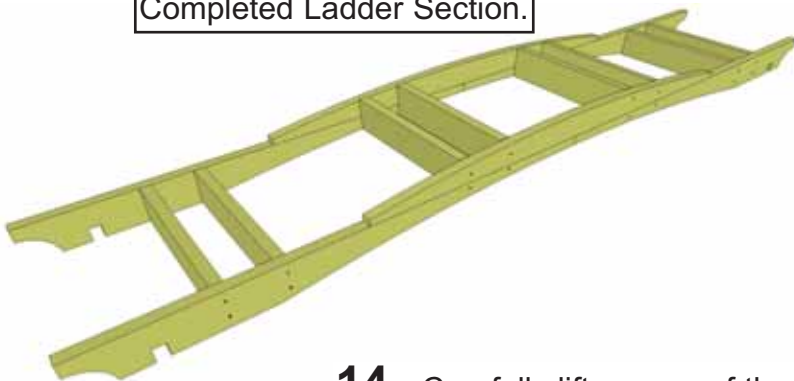


Try to align Blocking flush with bottom of Joist.

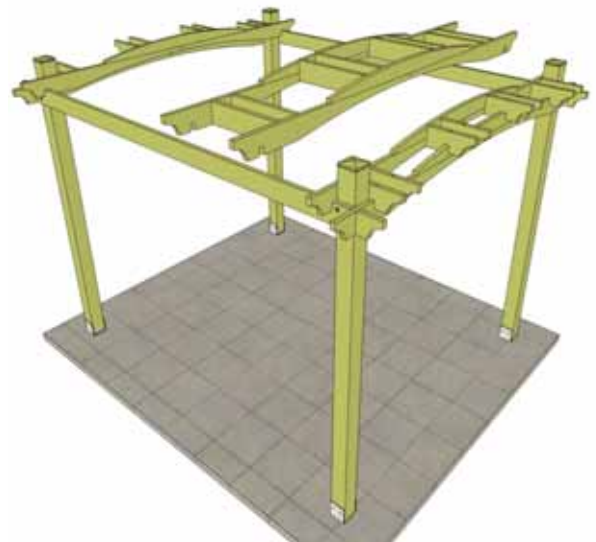


**13.** Align and attach Blocking on one side of Joist carefully positioning each piece on markings. Turn Ladder over to other side of Joist and finish attaching Blockings, creating a finished Ladder Section. Complete all four Ladder Sections on the ground prior to moving to **Step 14.**

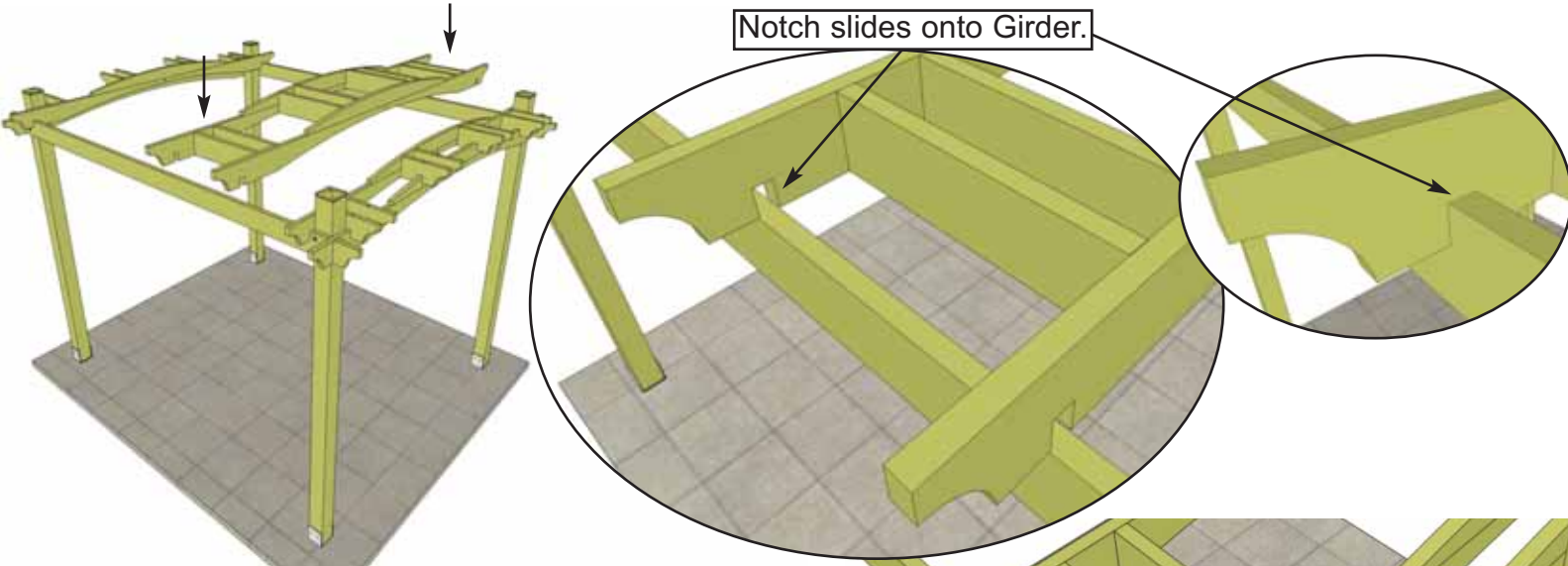
Completed Ladder Section.



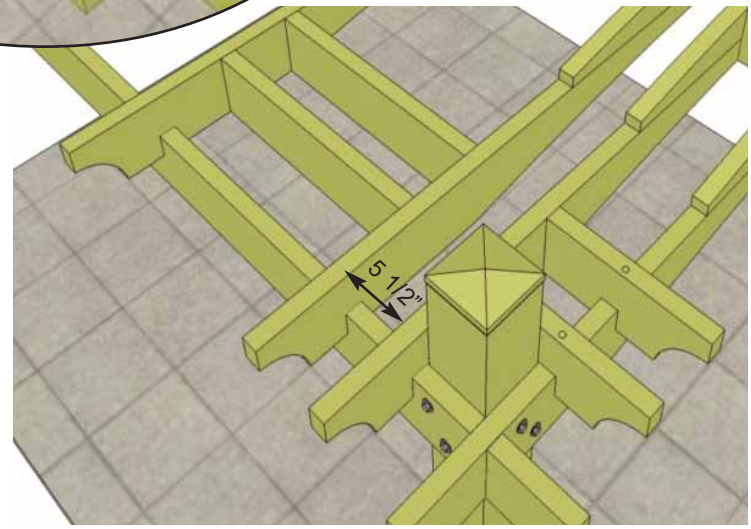
**14.** Carefully lift up one of the Ladder Sections between (B) Girders. **You will require a helper to assist in lifting up your Ladder Sections.**



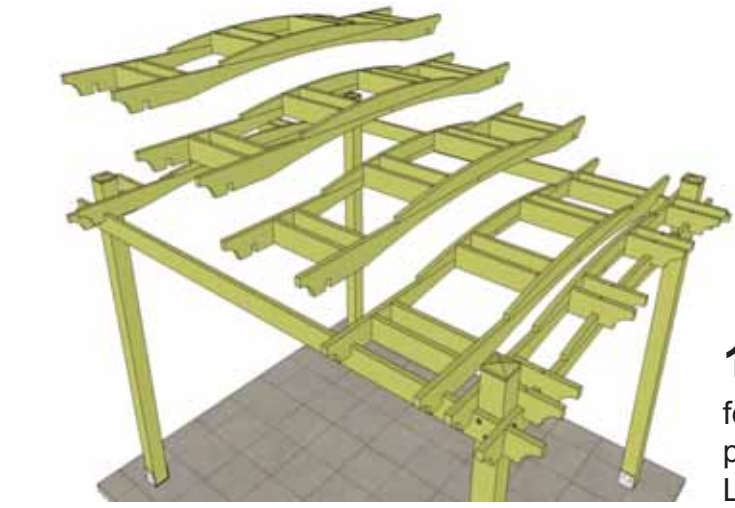




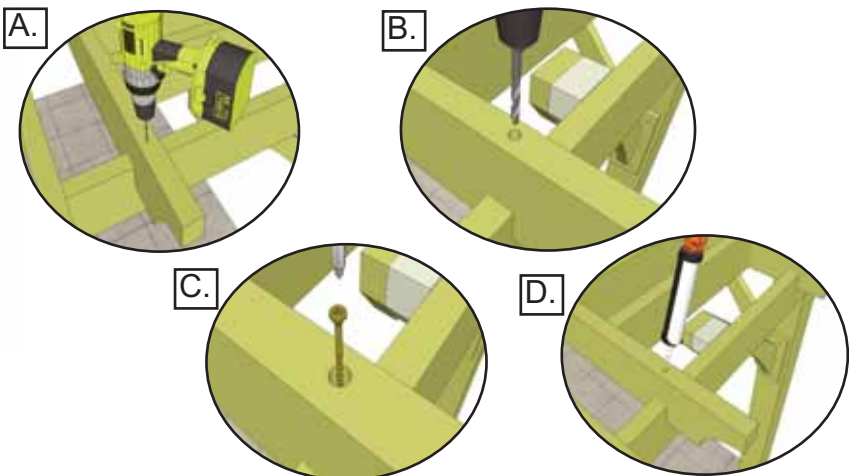
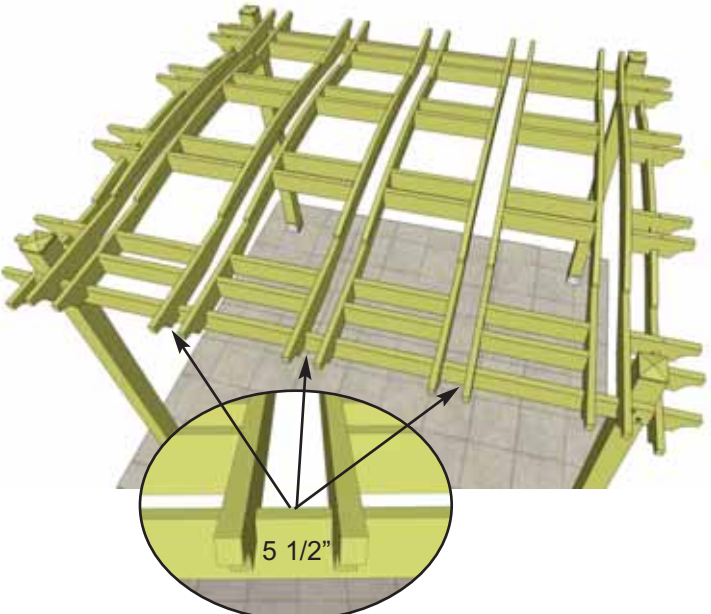
**15.** Carefully slide joist notches of Ladder Section onto Girder. Try to align notches so they slide into place all at once. With notches of Ladder Section sitting correctly on Girder, slide Section approximately 5 1/2" from Joist. Check alignment of opposite end of Ladder Section.



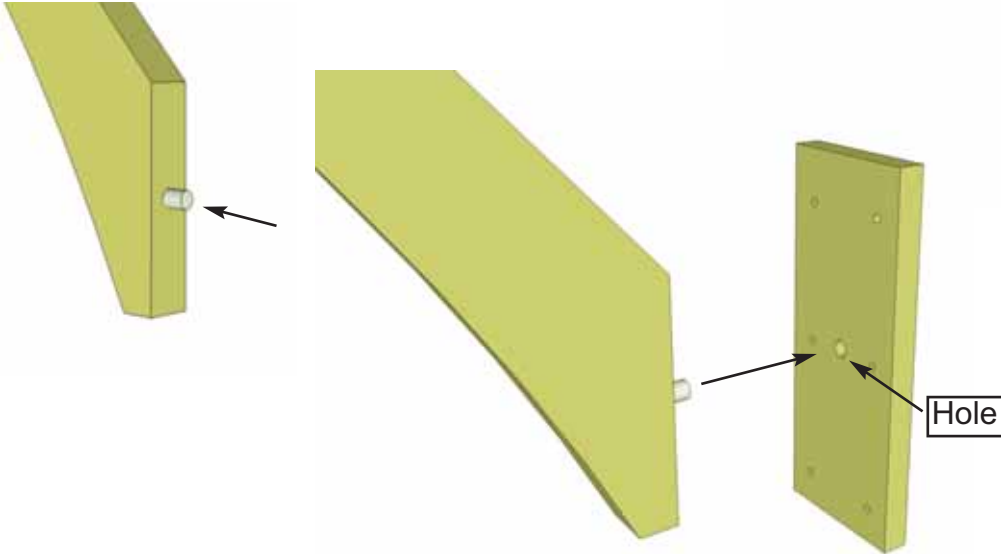
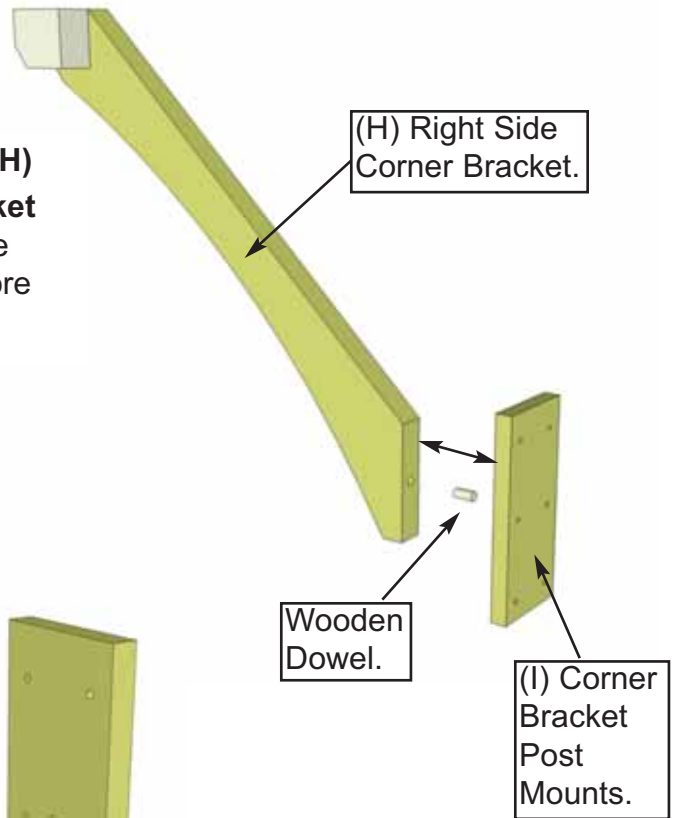
**16.** Set all remaining Ladder Sections in place on Girder spacing each **approximately 5 1/2"** apart.



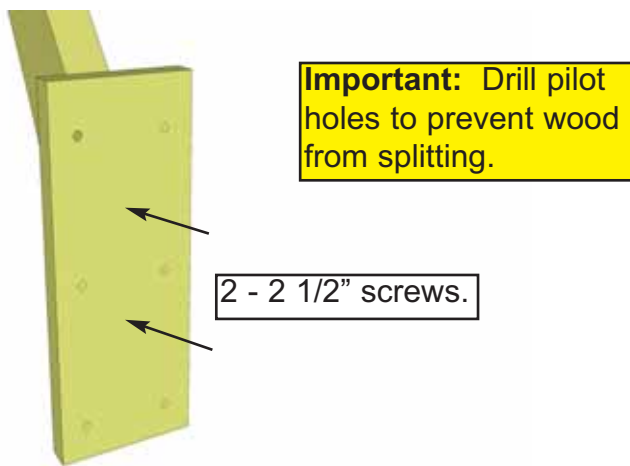
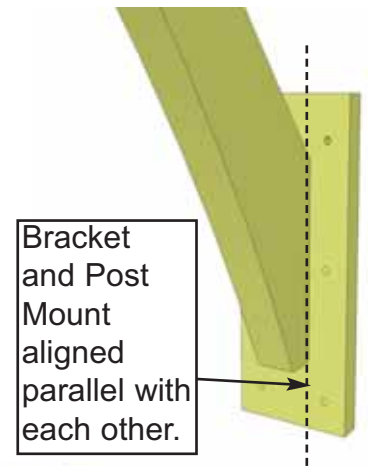
**17.** With all Ladder Sections in place, check once more for equal spacing. When satisfied with Ladder Section positioning, attach to Girders with **4 - 4" screws** per Ladder. **(A)** First, drill 1/8" pilot hole 2 - 3" deep from top edge of Joist down into Girder. **(B)** Counter sink hole with a 1/4" bit 1" deep. **(C)** Sink the 4" screw to bottom of counter sunk hole. **(D)** When all Ladders are attached, use exterior grade caulking and fill to top of each hole.



**18.** There are 4 Left (G) and 4 Right (H) Sided Corner Brackets. Corner Bracket Post Mounts (I) must be attached to the bottom end of each Corner Bracket before attaching to Posts.



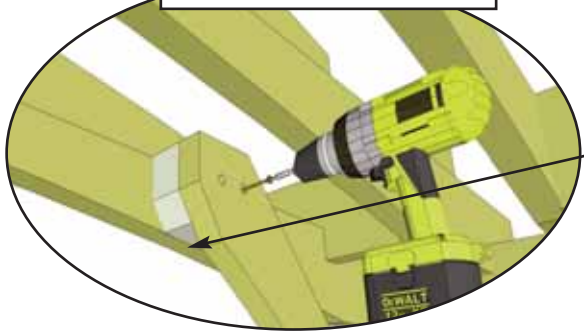
**19.** To assist with Bracket and Post Mount alignment, both the end of the Bracket and Post Mount have been drilled for a **Wooden Dowel**. Wooden Dowels are found in the Hardware Kit Bag. Insert a Wooden Dowel in end of Corner Bracket first and then push Post Mount onto Dowel until Bracket and Post Mount are flush together. Align Post Mount parallel with Bracket.



**20.** With Bracket and Post Mount correctly aligned, screw Post Mount to Bracket with 2 - 2 1/2" screws. **Important - Drill pilot holes in Post Mounts and Bracket to prevent wood from splitting!** Complete all remaining Brackets/Post Mount connections.

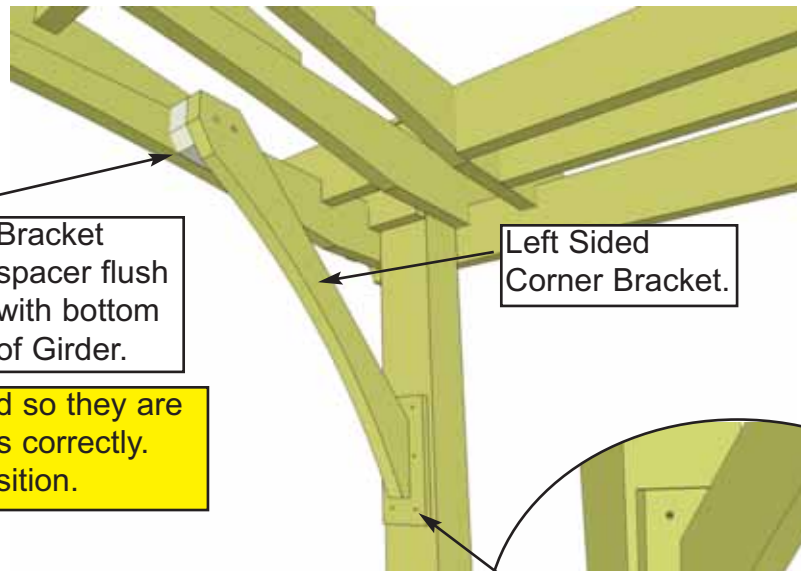


4" screws countersunk  
1/2" below surface.



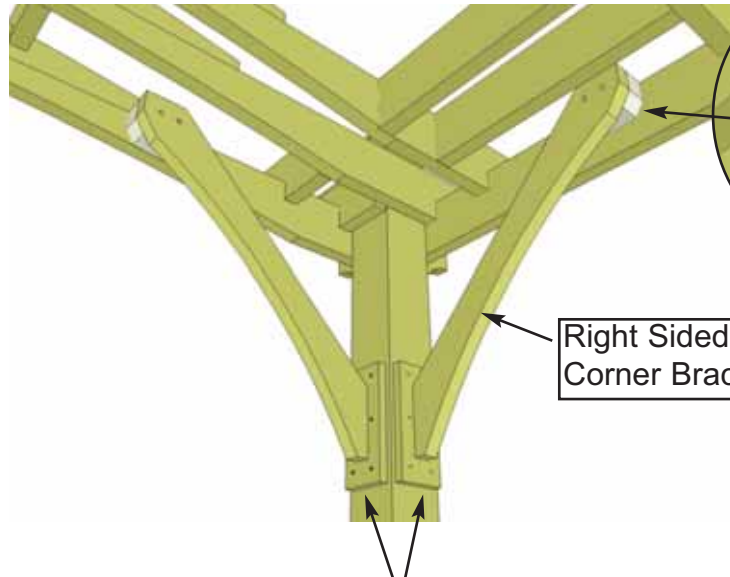
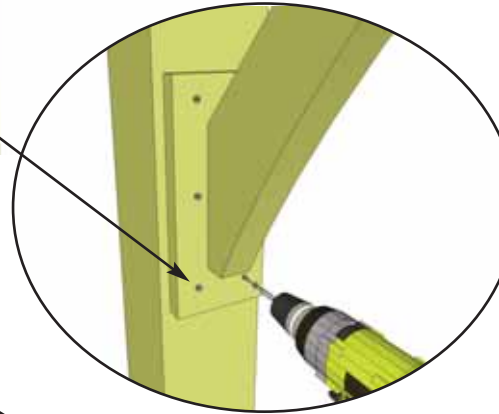
Bracket spacer flush with bottom of Girder.

Left Sided Corner Bracket.

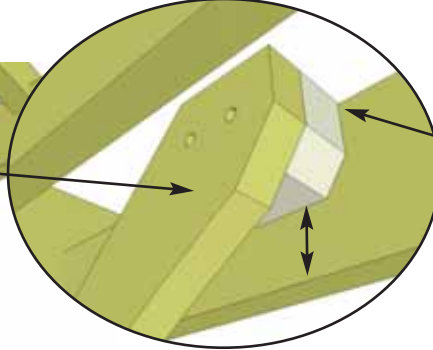


**Important** - Posts may need to be aligned so they are true and square to mount Corner Brackets correctly. Use a Level to determine correct Post position.

**21.** Lift completed Left Sided Corner Bracket up and align bottom of Bracket Spacer flush with bottom of Girder. At bottom of Corner Bracket, align Post Mount evenly and tight against Post. When correctly aligned, secure at top with **2 - 4" screws**. To secure Post Mount, use **6 - 2" Stainless Steel Screws**. Note: Post Mount and Top of Bracket are pre-drilled.



Right Sided Corner Bracket.



Aligned to top of B-Girder.

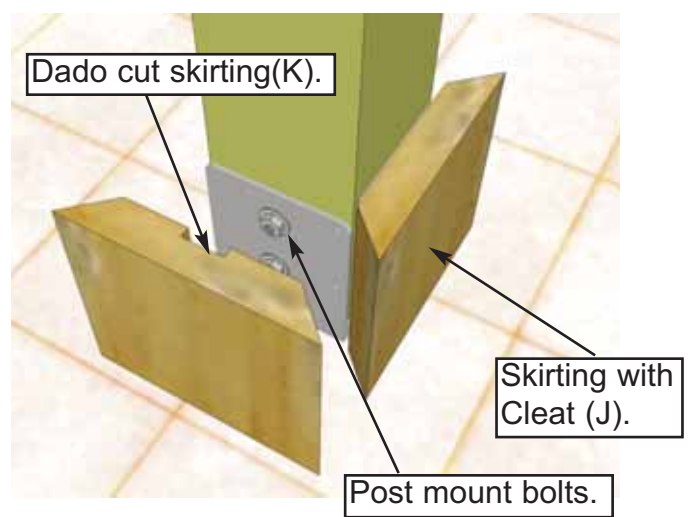
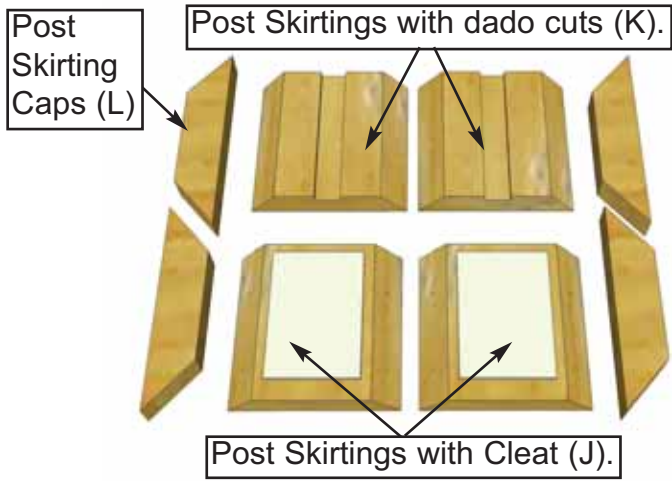
Align Corner Bracket on Post at same height.

**22.** Align and attach a Right Sided Corner Bracket on Post. Align Corner Bracket on Post to the same height as Left Bracket and then attach Post Mount first. Bracket spacer will be aligned closer to the top of the (B) Girder. Attach top bracket with **2 - 4" screws** as **Step 21**.

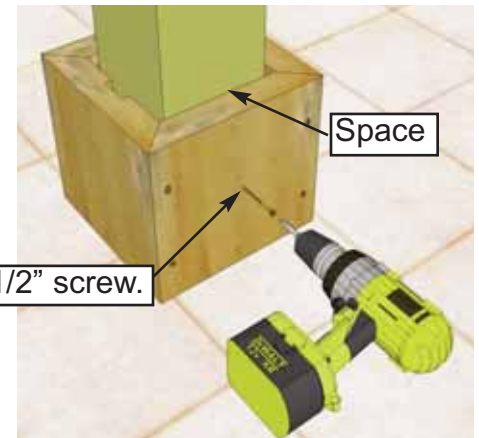
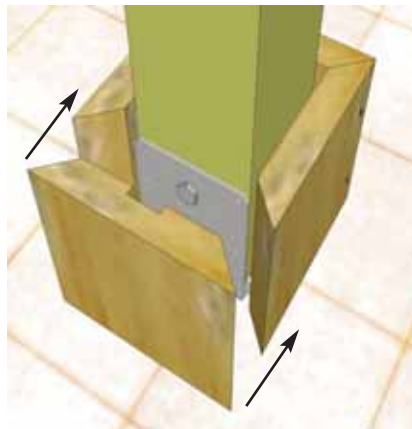
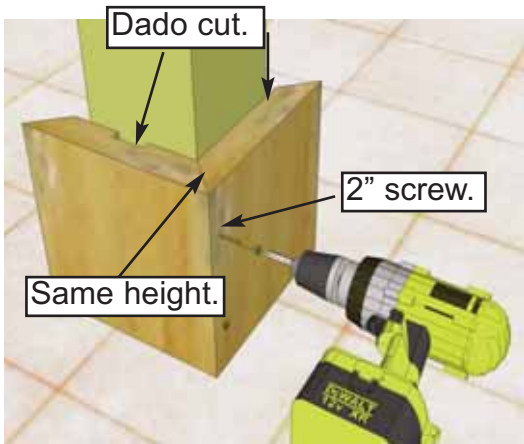
**23.** Complete remaining Left and Right Sided Corner Bracket attachments.



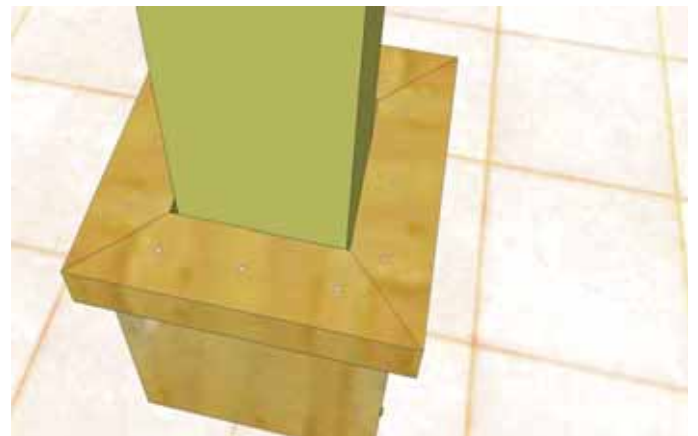
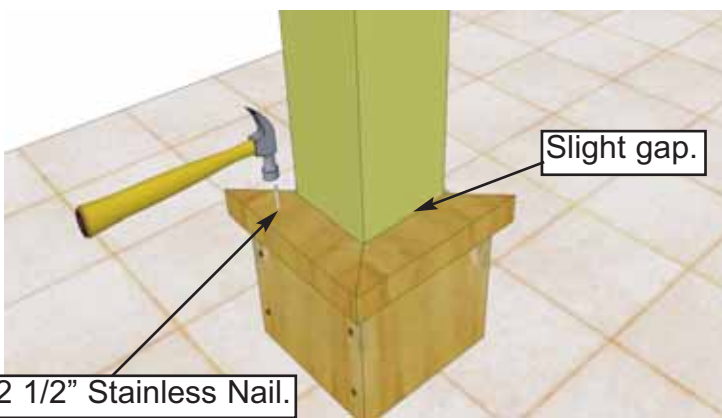




**24.** Locate all Post Skirting pieces. Position 2 post skirtings around the base of post as shown above. Use 1 **Post Skirting with Cleat - 1 1/2" x 9" x 7 1/4" (J)** and a **Post Skirting with Dado Cut - 1 1/2" x 9" x 7 1/4" (K)** initially. Cleated piece should be aligned opposite post mount hardware and dado piece aligned with post mount bolts (hardware).



**25.** With your helper's assistance, screw Parts J & K pieces together with 2 - 2" screws at pre-drilled locations. Make sure pieces are aligned on edges and top and bottom. Cleated skirting pieces are pre-drilled. Complete remaining skirting pieces around the Post. Center skirting kit evenly around Post. Secure to post by screwing 1 - 2 1/2" screw into the center of each Cleated Skirting Piece (J).

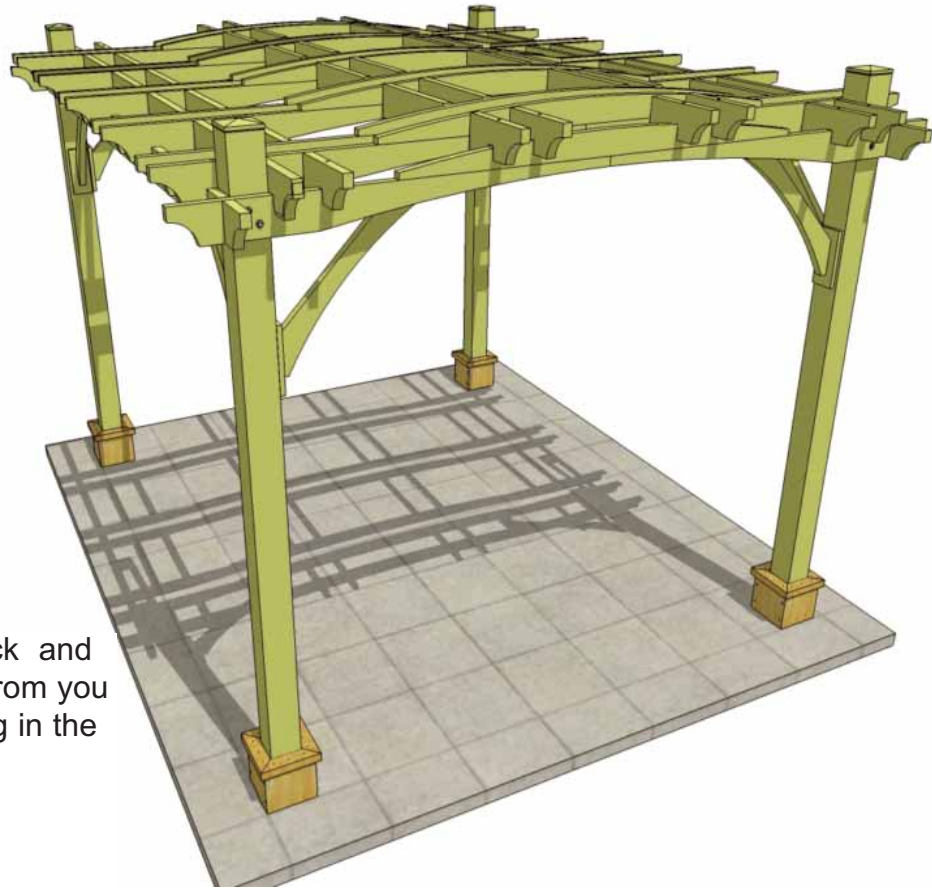


**26.** Position **Post Skirting Caps - 1 1/2" x 2 1/2" x 10 5/8" (L)** on top of skirting unit and against post. **Dry fit pieces first to confirm proper fit.** There will be a small gap between post and inside of cap. Attach caps down into skirting tops with 3 - 2 1/2" **Stainless Steel Finishing Nails** per piece. Complete remaining post skirtings.



## Congratulations on assembling your 10x12 Arched Breeze Pergola

**Note:** Our Pergolas are shipped as an unfinished product. If exposed to the elements, the Western Red Cedar lumber will weather to a silvery-gray color. If you prefer to keep the cedar lumber looking closer to the original color, we suggest treating the wood with a quality wood stain. You may also wish to paint your new Pergola rather than stain it. In both cases we recommend that you consult with a paint and stain dealer in your area.



We value your feedback and would like to hear back from you on how well we are doing in the following areas:

1. Customer Service
2. On Time Shipping
3. Motor Freight Delivery
4. Quality of Materials
5. Assembly Manual
6. Overall Satisfaction.

Please call, write or email us at:

Outdoor Living Today

Canadian Address  
9393 287th Street  
Maple Ridge, British Columbia  
Canada V2W 1L1

United States Address  
P.O. Box 96  
Sumas, Washington  
USA 98295



The materials contained in this Assembly Manual may be downloaded or copied provided that ALL copies retain the copyright and any other proprietary notices contained on the materials. No material may be modified, edited or taken out of context such that its use creates a false or misleading statement or impression as to the positions, statements or actions.